

Columbia



Safer and faster than load inverters.

Load Transfer Stations are capable of transferring products that are packaged in cases, barrels, drums, bags and pails from one pallet to another including Plastic, Chep and GMA pallets in both receiving and shipping applications. Make your next load transfer an easy one with the LTS from Columbia Machine, Inc.

LTS



BENEFITS

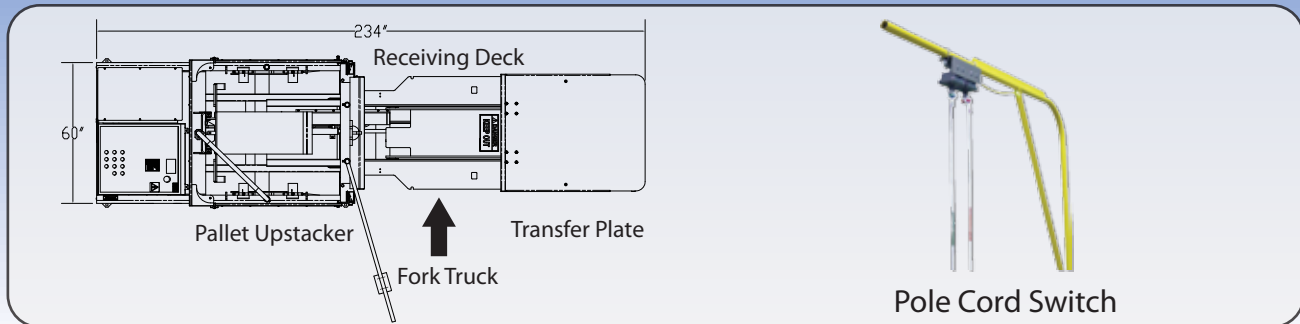
- Eliminate injury to warehouse personnel
- Streamline plant and warehouse operations
- Less wear and tear of lift trucks
- Improve plant process cleanliness
- Reduce shipping costs
- Easy-to-operate

To view a video of the LTS in operation and for more information on Columbia's complete line of Load Transfer Stations, please visit www.loadtransfer.net or call toll-free at **1.800.628.4065** / direct at **1.360.694.1501**.

www.loadtransfer.net

Load Transfer Station

The Load Transfer Station (LTS) is made up of a frame, receiving deck and a transfer plate. Since the LTS hydraulic and electrical components are self-contained, it can be accessed from two sides for loading or three sides for unloading. The integral pallet upstacker will accept up to 20 standard pallets. The actual cycle time of the machine is less than 60 seconds.



FEATURES

- Automatic pallet upstacker holds up to 20 pallets
- Low maintenance
- Hydraulically actuated
- Allen Bradley PLC controls
- Heavy duty construction
- 230, 460 or 575 VAC power supply
- Easy to operate
- 24 VDC controls
- 5 HP integral hydraulic power unit
- UL / CSA rated control panel
- Weighs 6,400 lbs.
- Machine mounted guarding
- 4,000 lb. load capacity
- Overhead pivot pole cord switch
- 3 Emergency stops

OPTIONS

- Cold Climate Package
- Stainless steel paint for wash down applications
- Automatic pallet height adjustment
- 3-way handling of outbound loads
- Receiving deck shim kit
- Automatic load placement adjustment (inset, flush, overhang)

Columbia

www.loadtransfer.net